

TAMPER EVIDENT CONTAINERS

Tech Sheet

PRODUCT REFERENCE NUMBER - #2019 Standard

Product Information	
Shape	Round
Volume	480ml
External Diameter with Lid	118mm
External Diameter of Bottom	99.97mm
External Diameter of Lid	110.56mm
Container Height	68.2mm
Container Weight	18.5g
Lid Weight	7.6g
Colour	Clear
Sealing Type	
Closure Type	Snap-On
Tamper Evident	Yes
Seal Possible	No
Protective Collar	Yes
Lid Type	Standard
Food Approval	Yes
Decorative Options	
Handle Available	No
Decoration Available	IML
Container	No
Lid	Yes
<p>Different IML options</p> <div style="display: flex; justify-content: space-around;"> <div style="text-align: center;"> <p>Full cover</p> </div> <div style="text-align: center;"> <p>Peek inside Create a transparent pot window</p> </div> <div style="text-align: center;"> <p>Perfect mix Clear pot with colourful lid. Or vice versa</p> </div> </div> <p>Perfect colour matching</p> <div style="display: flex; justify-content: space-around;"> <div style="text-align: center;"> <p>Coloured plastic options</p> </div> <div style="text-align: center;"> <p>Choose from Pantone or mixed CMYK colour palettes</p> </div> </div>	
Technical Specification	
Materials	#PP random QU 80 A (MFI 35), Braskem (MFI 40), Borealis RJ3770MO Random, Molpen RP348T, Borealis BD950MO Freeze grade (Transparent)
Approval	All raw materials and masterbatches used in the production process have the appropriate food contact approvals.
Masterbatch Colours	Standard pantone colours will be used unless otherwise stated, customised will generally incur a surcharge.
Hot Fill	Packaging is suitable for contact with hot filling (85°C – 95°C) and short-term use in the microwave. Packaging must be tested by the customer with the actual product before approval for use at hot temperatures.
Cold Temperature	Package made from special cold-resistant material can be used at temperatures below -20°C. It is produced according to customer requirements. Packaging must be tested by the customer with the actual product before approval for use at low temperatures.
Storage	The compliance of the product to the technical specifications in this data sheet is guaranteed for 12 months after the date of the delivery subject to suitable storage.

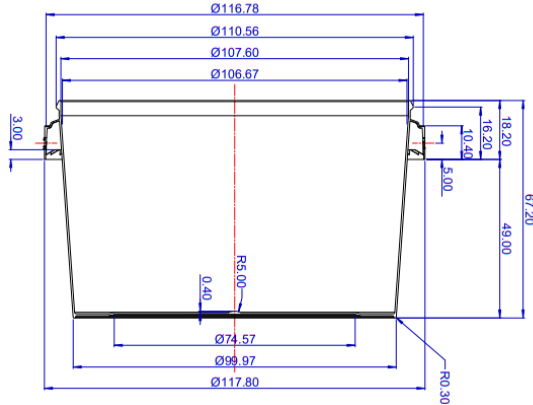
TAMPER EVIDENT CONTAINERS



Tech Sheet

PRODUCT REFERENCE NUMBER - #2019 Standard

Sizing Specification



*Detailed die cutter on IML Label is available after contact with the sales department.

Label Specification

Palletisation

Smallpack					Bulk				
Item	Total Pcs. Per Box	Total Pcs. Per Pallet	Boxes Per Pallet	Total Pallet Height	Item	Total Pcs. Per Box	Total Pcs. Per Pallet	Boxes Per Pallet	Total Pallet Height
Containers				225cm	Containers	4200	8400	2	225cm
Lids				225cm	Lids	1890	30240	16	225cm

Single Box	Bulk Pallet	Combi Pallet
<p>Dimensions: 60cm x 40cm x 40cm</p>	<p>Full Pallet: 120cm x 80cm x 210cm Wooden Pallet: 120cm x 80cm x 15cm</p>	<p>Full Pallet: 120cm x 80cm x 210cm Wooden Pallet: 120cm x 80cm x 15cm</p>